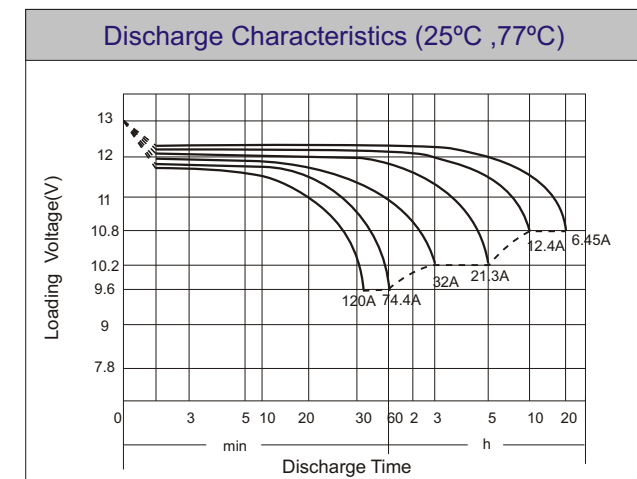
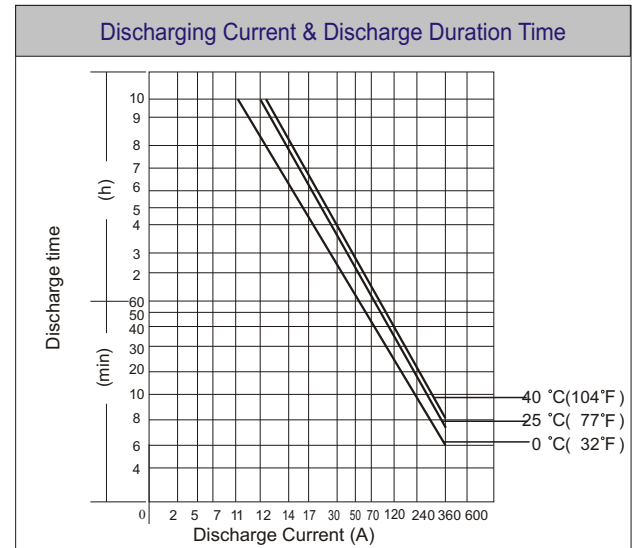
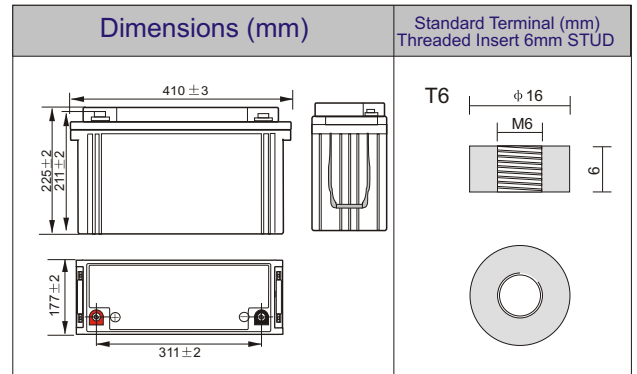




**POWER-GUARD SERIES®**



**PG12V130**  
VRLA Sealed Long Life Battery



Physical Specification		
Nominal Voltage	12V	
Nominal Capacity (20HR)	130AH	
Dimension	Length	410 ± 3mm (16.14 inches)
	Width	177 ± 2mm (6.97 inches)
	Container Height	225 ± 2mm (8.86 inches)
	Total Height (with Cover)	225 ± 2mm (8.86 inches)
Weight	Approx 37.6kg (82.96lbs)	
Standard Terminal	T6 Threaded Insert 6mm STUD	

Electrical Specification					
Rated Capacity	20 hour rate (6.45A)	129 AH	Constant-Voltage	Cycle	Initial Charging Current less than 36A. Voltage 14.4V~ 15.0V at 25°C (77°F) Temp. Coefficient -30mV/C
	10 hour rate (12.4A)	124 AH			
	5 hour rate (21.3A)	106.5 AH			
	3 hour rate (32.0A)	96.0 AH			
	1 hour rate (74.4 A)	74.4 AH			
Capacity affected by Temperature	40°C (104°F)	103%	Charge	Standby	No limit on Initial Charging Current Voltage 13.5V~13.8V at 25°C(77°F) Temp. Coefficient - 20mV/C
	25°C (77°F)	100%			
	0°C (32°F)	86%			

Constant Current (Amp) and Constant Power (Watt) Discharge Table (25°C,77°F)														
Time(minute) Final voltage	10	15	20	30	45	60	120	180	240	300	360	480	600	1200
Amp/Watt/Cell	1.3	1.3	1.3	1.6	1.6	1.67	1.7	1.75	1.75	1.75	1.75	1.8	1.8	1.8
Amps	310.0	235.6	186.0	142.6	99.2	74.4	43.4	32.0	24.8	21.3	18.8	14.8	12.4	6.45
W/Cell	582.8	446.4	364.6	269.1	197.2	147.3	86.3	64.0	49.5	42.6	37.7	29.5	24.8	12.90